



SPONSLER, INC.

IT400: FLOW MEASUREMENT REMOTE INDICATOR / TOTALIZER



FEATURES:

- **Battery Powered**
(other power sources available)
- **Temperature Compensation**
- **20 pt. Linearization**
- **Independent Rate Indication**
/ Totalization Engineering Units
- **Multi-Meter Functions to Read**
Battery Voltage, RTD, Frequency,
and Simulate 4-20 mA
- **High / Low Alarms**
- **Backlight**



SPONSLER, INC. • A Unit of IDEX Corporation
2363 Sandifer Blvd. • Westminster, SC 29693
(864) 647-2065 • www.sponsler.com



IT400: FLOW MEASUREMENT REMOTE INDICATOR / TOTALIZER

Total:

- 8 digit 5.40mm high LCD (continuous display)
- Batch total (external reset – magnetic)
- Grand total (no reset)

Rate:

- 5 digit 8.66mm high LCD (continuous display)
- Range over/under limit indication
- Refresh rate: Multiple depending on power mode (16/s, 8/s, 4/s, 1/s, 0.5/s)

Accuracy:

- *Display:* $\pm 0.01\%$ Reading (rate) or ± 1 count (total)
- *Analog output:* $\pm 0.025\%$ of Full Scale @20°C
- *Digital output:* ± 1 count

Linearization:

- Linearization table, 2-20 points

Power input:

Internal: D Lithium battery

- Battery life: Various: typical per power mode: Up to 8 years

External: 48VDC reverse polarity protected

Loop: 7v load on loop

- Loop powered from the 4-20mA loop input (non-isolated)

Signal Input (flow):

Magnetic: Sensitivity: 50mV min (field adjustable); Frequency: 0-3000Hz

RF modulated: Carrier frequency 50kHz (requires external power or loop power); Frequency: 0-3000Hz

Pulse: Any zero reference or zero crossing wave shape; Frequency: 0-4000Hz

Temperature Compensation:

- Two wire RTD
- Coefficient of Thermal Expansion method

Outputs:

Scaled Pulse

- Opto-isolated Open-Collector output
- Frequency or fixed pulse width (1, 2, 5, 10, 50, 100, & custom ms) output setting
- Output pulse Divider: 1, 2, 5, 10, 50, 100, 1000, & custom

Alarm (optional)

- Programmable Opto-isolated Open-Collector output
- Can be used to control totalization

Rate (4-20mA)

- Factored rate to current loop output
- Programmable low and high set points
- Fully isolated (unless loop powered)

K-Factor range: Pulses per gallon:
0.0000001 to 999999

Backlight: Green LED
(magnetically activated and timed)

Communications: RS-232

Engineering Unit Display:

- Custom Descriptors: Gallons, Liters, Ft³, M³, Pounds, BBL, KG (custom weight available)
- Custom units available with given units/gallon
- Rate and Total can have independent unit displays



SPONSLER, INC.

2363 Sandifer Blvd.

(864) 647-2065

• A Unit of IDEX Corporation

• Westminster, SC 29693

• www.sponsler.com



IT400: FLOW MEASUREMENT REMOTE INDICATOR / TOTALIZER

Enclosure

- Explosion Proof Aluminum
- FM Approved, CSA Certified
- Class I, Division 1, Groups B, C, & D
- Class II, Division 1, Groups E, F, & G
- NEMA 4
- Weight: 2.5lbs.
- Mounts directly on Flowmeter

Environmental

- Operating: -22 to 167°F (-30 to 75°C)
- Storage: -40 to 185°F (-40 to 85°C)

Other Features:

- EEPROM parameter/setup storage (>100 year retention)
- All features/settings are field programmable. Convenient input via rotary switch and two pushbuttons
- MMC Flash media card data logger (available soon)

Compliance:

- CE
- UL(pending)
- CSA (pending)



IT400: Remote Rate Indicator / Totalizer with matching Sponsler Precision Turbine Flowmeter

Annunciators:

- Dual segment battery level indicator
- Maintenance due indicator
- Temperature range indicator (with Temperature Compensation option)

MODEL SELECTION GUIDE

IT400 - DC - TR _____ - X - _____

Power: DC

Enclosure:

X = Explosion Proof

Functions:

TR = Rate Indication / Totalization
(standard)

C = Temperature Compensation

L = Linearization

Options:

RF = Modulated Carrier

A = Alarm

RS2 = RS-232

D = Datalogging (available soon)

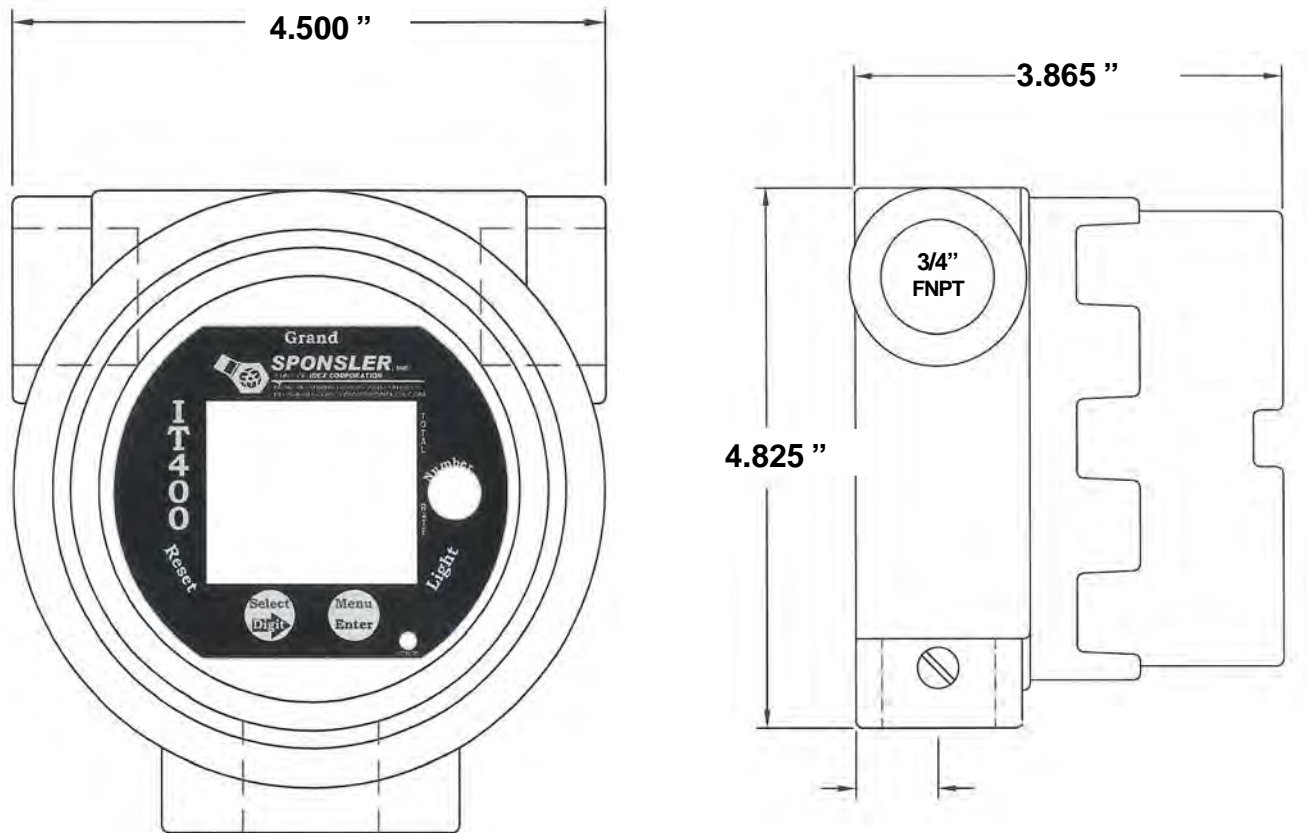


For more information, visit us on the web at
www.sponsler.com



IT400: FLOW MEASUREMENT REMOTE INDICATOR / TOTALIZER

DIMENSIONS:



SERVICES:

- Field Services
- Onsite Customer Service
- Calibration
- Repair
- Training and Education
- Technical Support

QUALITY MANAGEMENT SYSTEM
CERTIFIED BY DNV

ISO 9001:2000

At Sponsler, Inc., we are committed to designing, manufacturing, and calibrating the highest quality flow measuring products. All associates share this commitment to continual improvement, customer satisfaction, and quality.

Manufacturing operations at Sponsler, Inc. include precision machining and electronics manufacturing combined with rigid, comprehensive calibration and testing procedures. These operations ensure that every Sponsler product conforms to the highest quality standards and applicable regulatory requirements. With commitment to competitive pricing, devotion to quality, superior customer service, and a reliable delivery of products, Sponsler, Inc. strives to combine technologically, innovative products with the highest rate of reliability.

LT-5009 08/04



SPONSLER, INC. • A Unit of IDEX Corporation
2363 Sandifer Blvd. • Westminster, SC 29693
(864) 647-2065 • www.sponsler.com